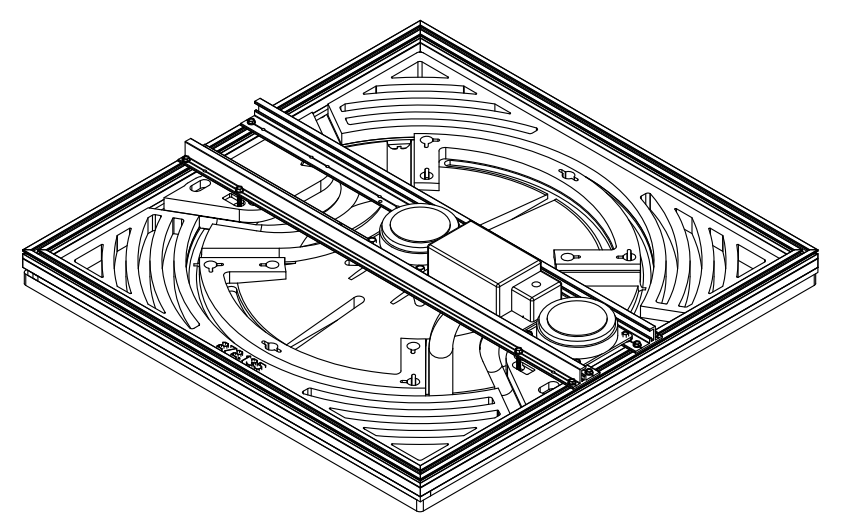
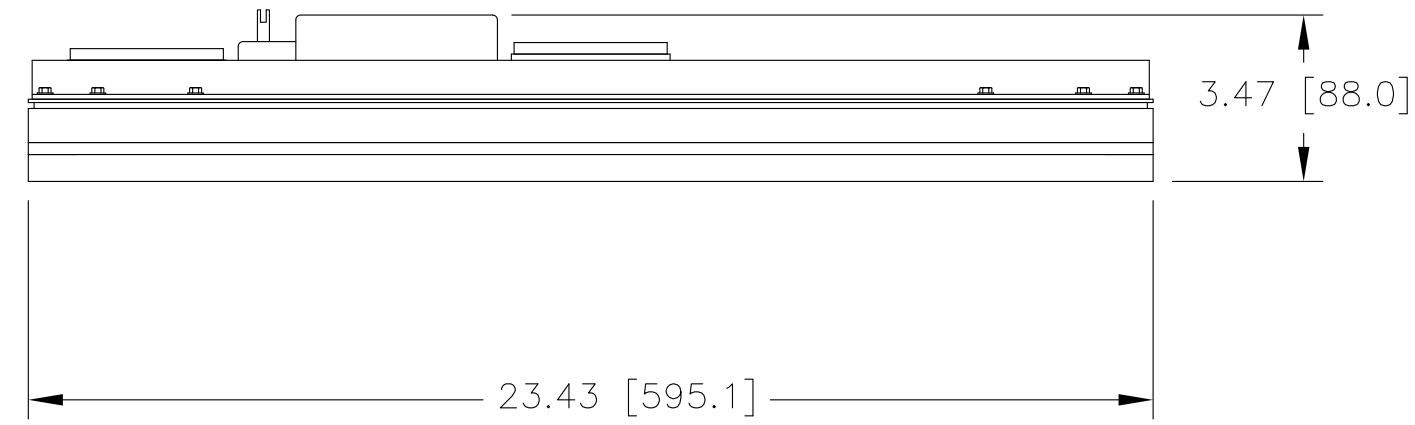
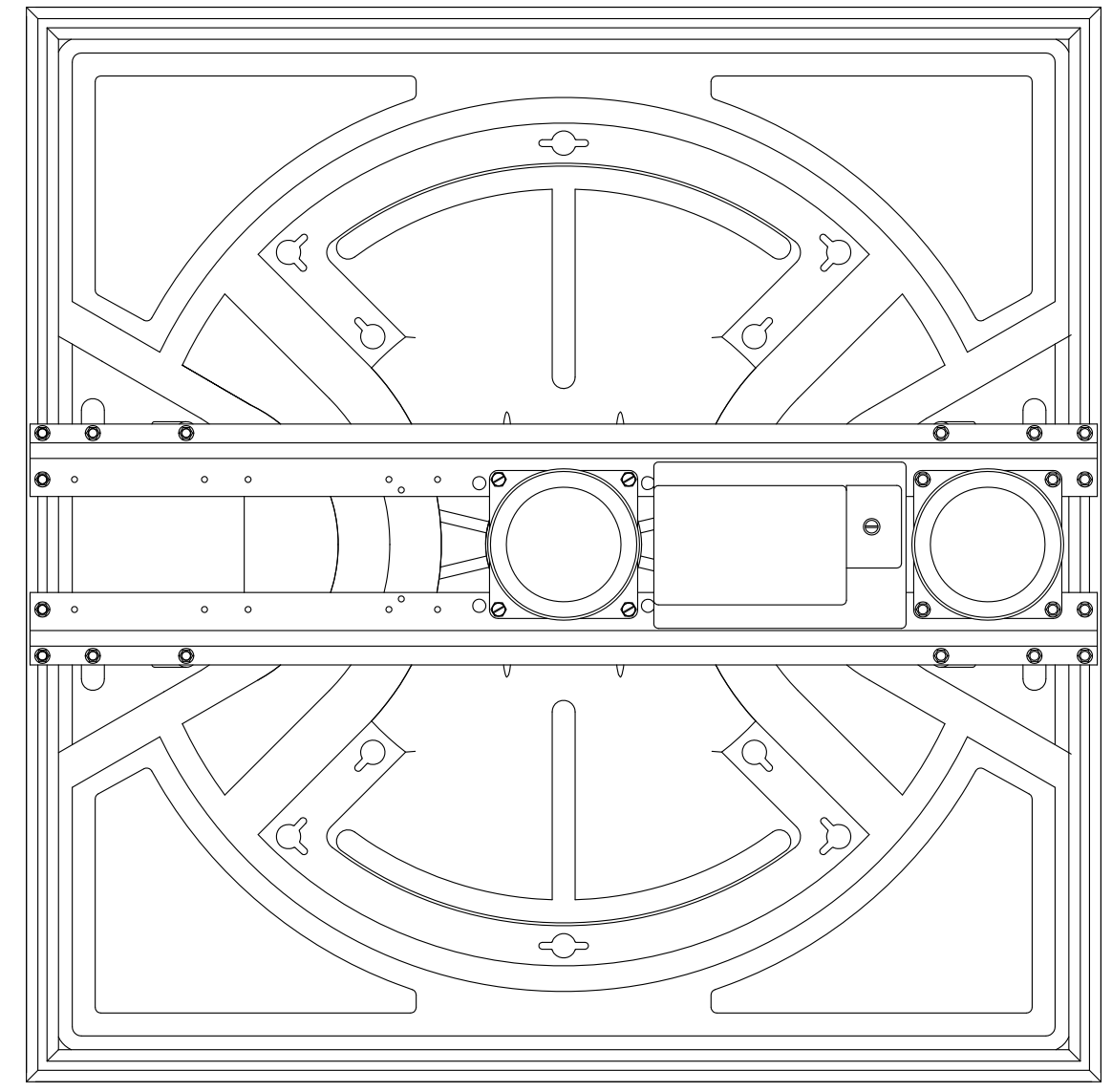
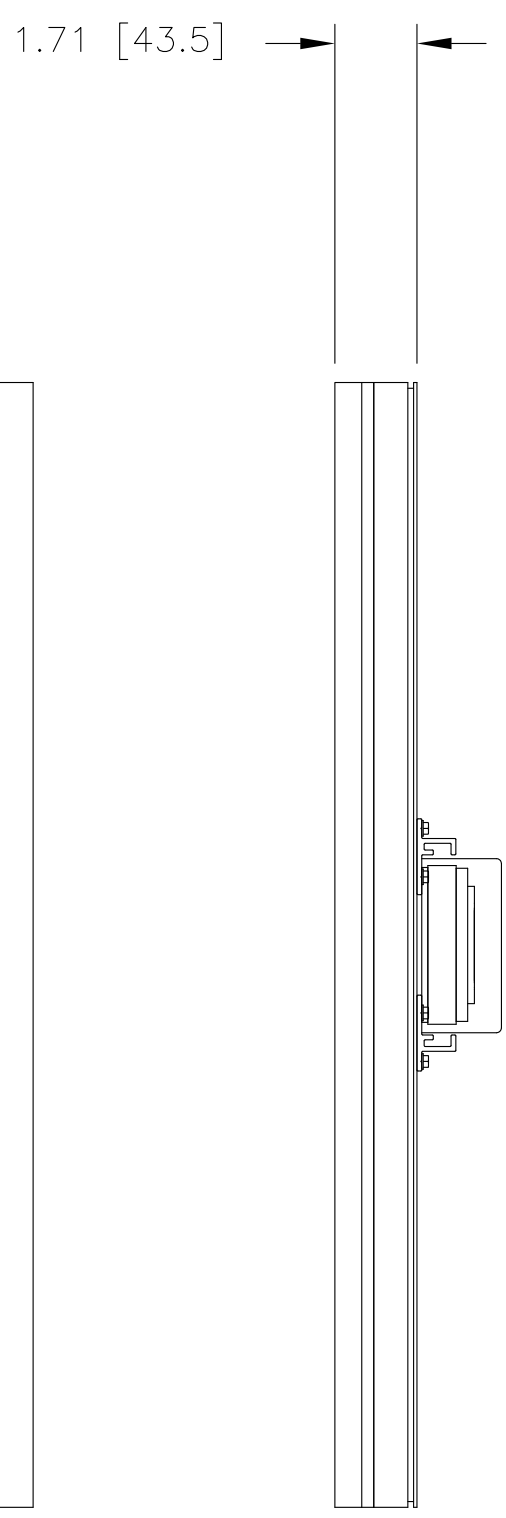


8 7 6 5 4 3 2 1

F
E
D
C
B
A

F
E
D
C
B
A



PROPRIETARY AND CONFIDENTIAL
THE INFORMATION CONTAINED IN THIS DRAWING IS THE SOLE PROPERTY OF SOUND ADVANCE. ANY REPRODUCTION IN PART OR AS A WHOLE WITHOUT THE WRITTEN PERMISSION OF SOUND ADVANCE IS PROHIBITED.

		UNLESS OTHERWISE SPECIFIED:		NAME	DATE
		DIMENSIONS ARE IN INCHES [MM]	DRAWN		
		TOLERANCES:	CHECKED		
		FRACTIONAL ±	ENG APPR.		
		ANGULAR ±	MFG APPR.		
		TWO PLACE DECIMAL ±	Q.A.		
		THREE PLACE DECIMAL ±	COMMENTS:		
		INTERPRET GEOMETRIC TOLERANCING PER:			
		MATERIAL			
		FINISH			
NEXT ASSY	USED ON		RELEASED ON:		
APPLICATION	DO NOT SCALE DRAWING				

SA SOUND ADVANCE
212 AVENIDA FABRICANTE
SAN CLEMENTE, CA. 92672

TITLE: **ST2432D**

SIZE	DWG. NO.	REV
C		

SCALE: 1:4 SHEET 1 OF 1